



Andy Schor, Mayor

CITY OF LANSING

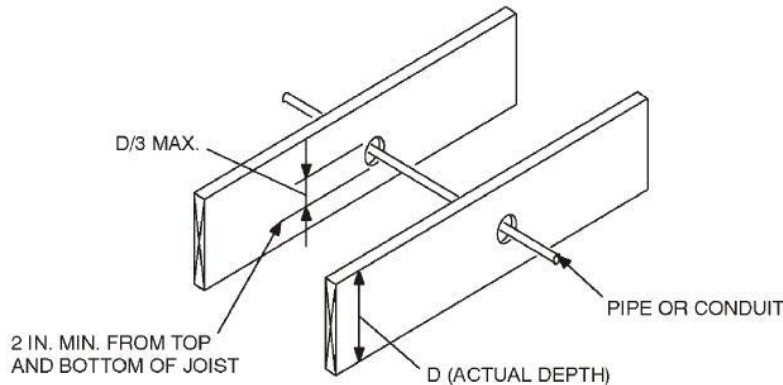
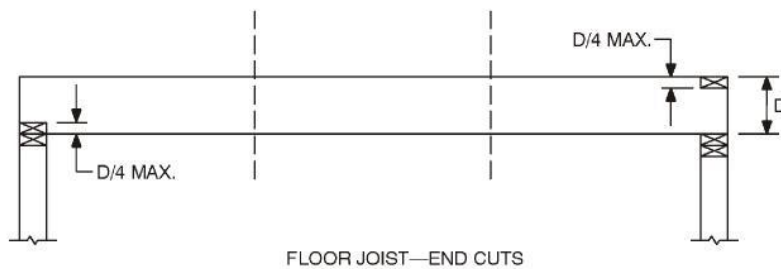
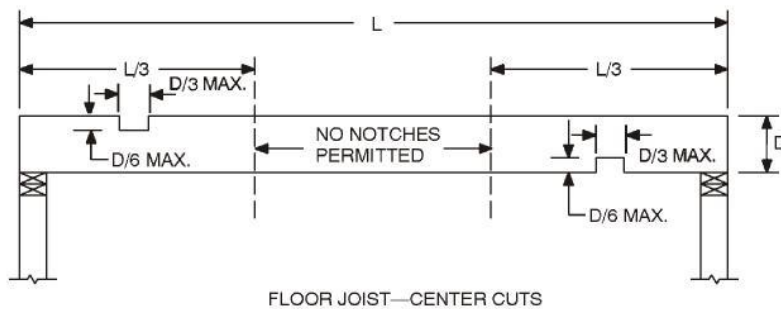
Department of Economic Development and Planning

316 N. Capitol Ave., Suite C-1 – Lansing, MI 48933-1238
 (517) 483-4355 – Fax (517) 377-0169

Brian McGrain, Director
www.LansingMi.gov

Office of Building Safety

Drilling and Notching Joists, Rafters and Beams

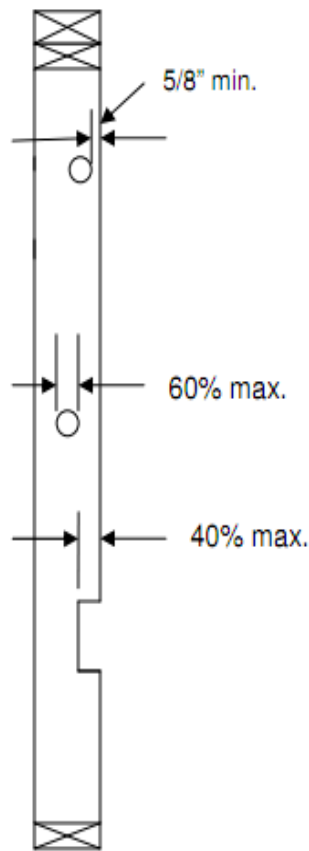


2015 Michigan Residential Code, R502.8

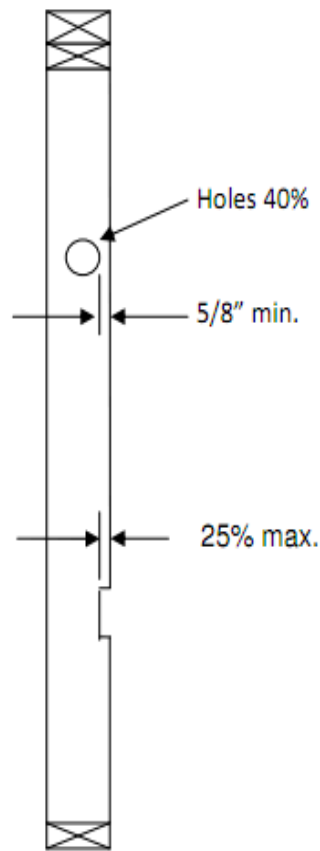
Sawn Lumber. Notches in solid lumber joists, rafters and beams shall not exceed one-sixth of the depth of the member, shall not be longer than one-third of the depth of the member and shall not be located in the middle one-third of the span. Notches at the ends of the member shall not exceed one-fourth the depth of the member. The tension side of members 4 inches or greater in nominal thickness shall not be notched except at the ends of the members. The diameter of holes bored or cut into members shall not exceed one-third the depth of the member. Holes shall not be closer than 2 inches to the top or bottom of the member, or to any other hole located in the member. Where the member is also notched, the hole shall not be closer than 2 inches to the notch.

Engineered Wood Products. Cuts, notches and holes bored in trusses, structural composite lumber, structural glue-laminated members, cross-laminated timber members or I-joists are prohibited except where permitted by the manufacturer's recommendations or where the effects of such alterations are specifically considered in the design of the member by a *registered design professional*.

Drilling and Notching of Stud



Nonbearing Studs



Exterior and Bearing Studs

R602.6 Drilling and Notching –Studs.

1. Notching. Any stud in an exterior wall or bearing partition may be cut or notched to a depth not exceeding 25 percent of its width. Studs in nonbearing partitions may be notched to a depth not to exceed 40 percent of a single stud width.

2. Drilling. Any stud may be bored or drilled, provided that the diameter of the resulting hole is not more than 60 percent of the stud width, the edge of the hole is no more than 5/8 inch to the edge of the stud, and the hole is not located in the same section as a cut or notch. Studs located in exterior walls or bearing partitions drilled over 40 percent and up to 60 percent shall also be doubled with no more than two successive doubled studs bored.

Exception: Use of *approved* stud shoes is permitted when they are installed in accordance with the manufacturer's recommendations.